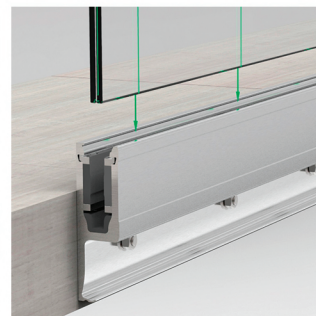
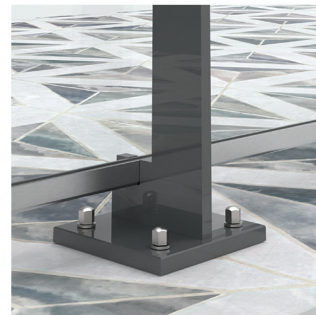
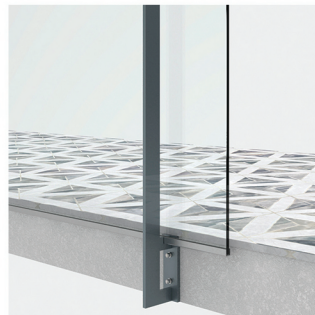
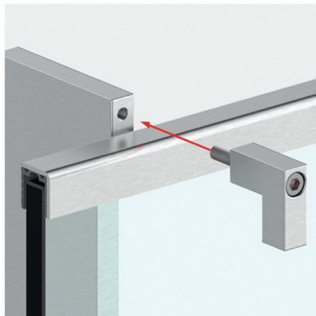
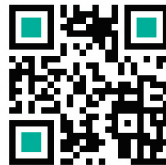


The Open Railing Systems consist of endless combinations of following elements according to the needs of each client.

Open Railing Systems characteristics

- Simple alignment of the glass
- Very easy and fast installation
- Trouble free replacement of the glass panels by simply loosening the clamps
- The profiles are already equipped with draining holes in order to allow incoming water to run off
- Unlimited width of the glass panels with handrail
- Suitable for installation with unlimited height
- Certified for shorter glass panels and for attica installations as well
- There are many mounting possibilities to a specific substructure.





New York Design Center
123 Coffey Street, Brooklyn, NY 11231
Office: 718.403.0300
info@openawd.com
www.openawd.com